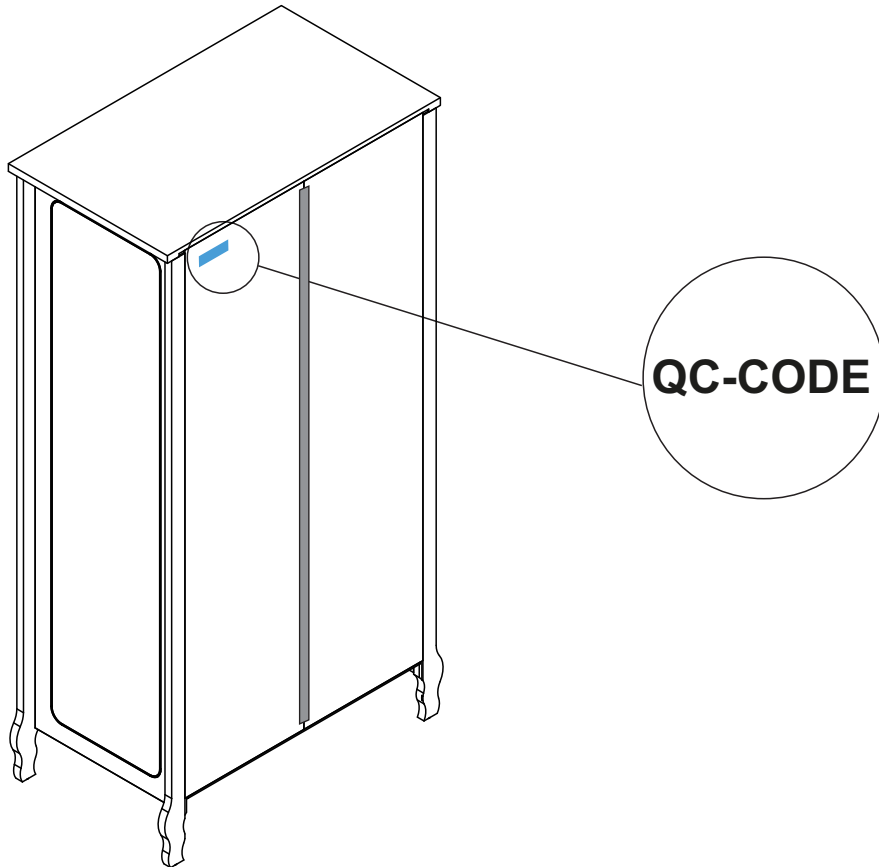


# QC-CODE

- (UK) for service requests
- (NL) voor service vragen
- (FR) pour les demandes de service
- (DE) für Service Anfragen
- (ES) para consultas de servicio
- (IT) per richieste di assistenza



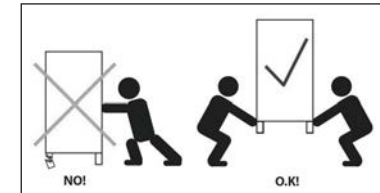
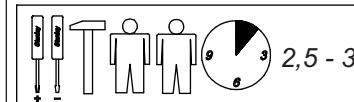
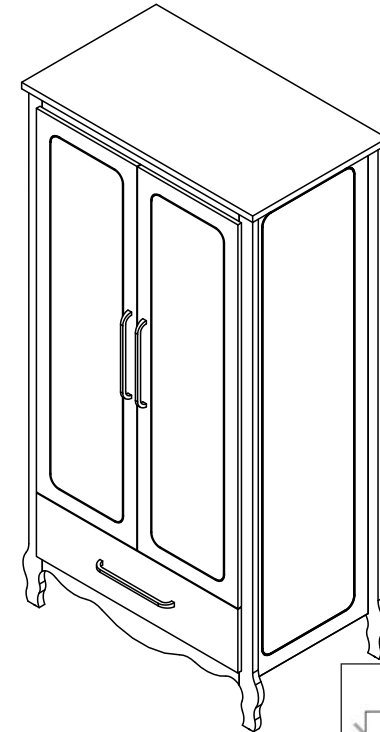
17

Instruction Manual

# ELENA

## WARDROBE

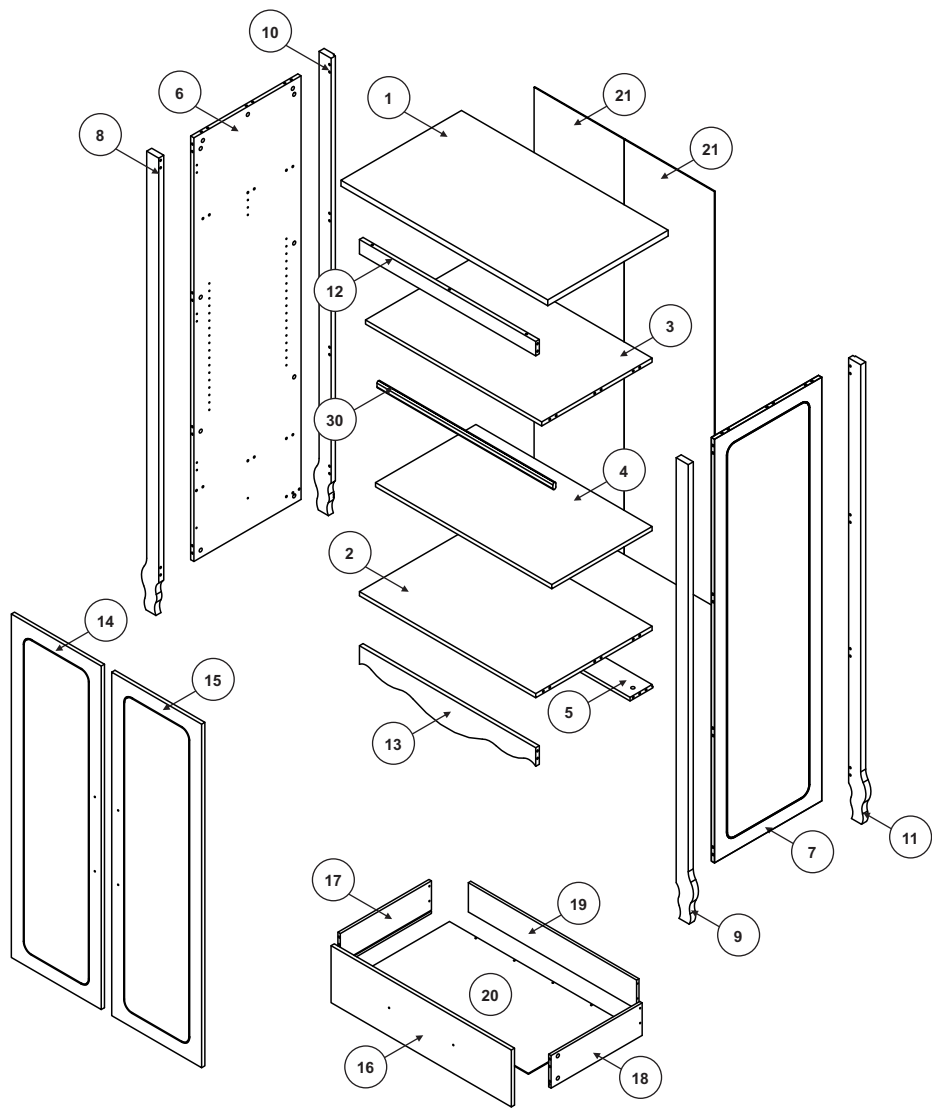
14613611



DISTRIBUTOR:  
**BOPITA**  
Energieweg 1, 6662 NS Elst  
The Netherlands  
[www.bopita.com](http://www.bopita.com)

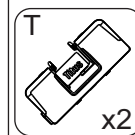
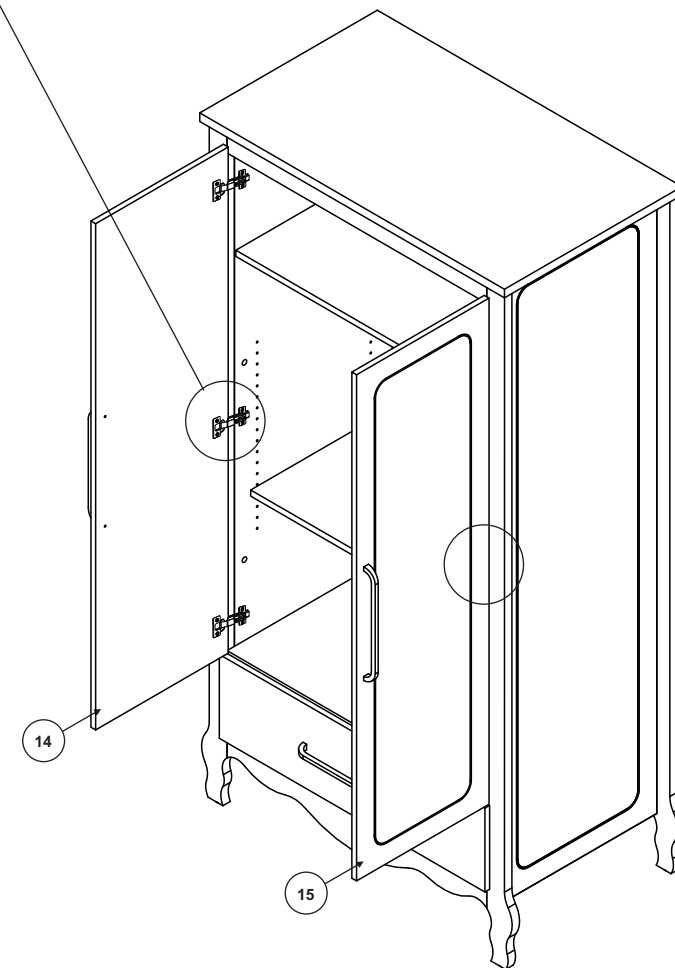
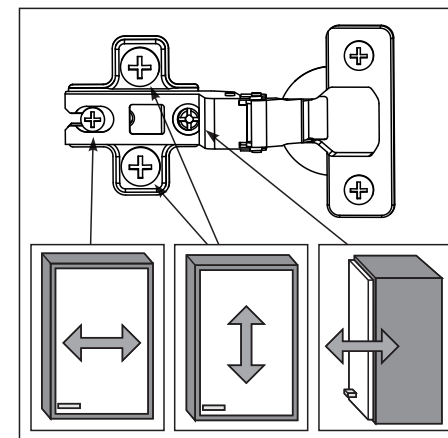
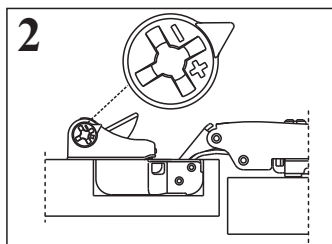
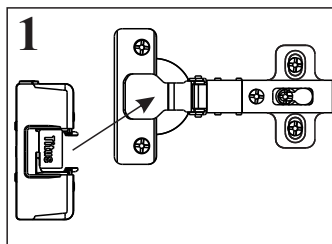
10.09.2021.

1



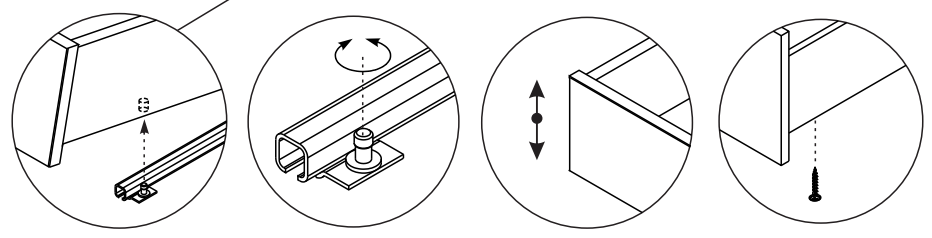
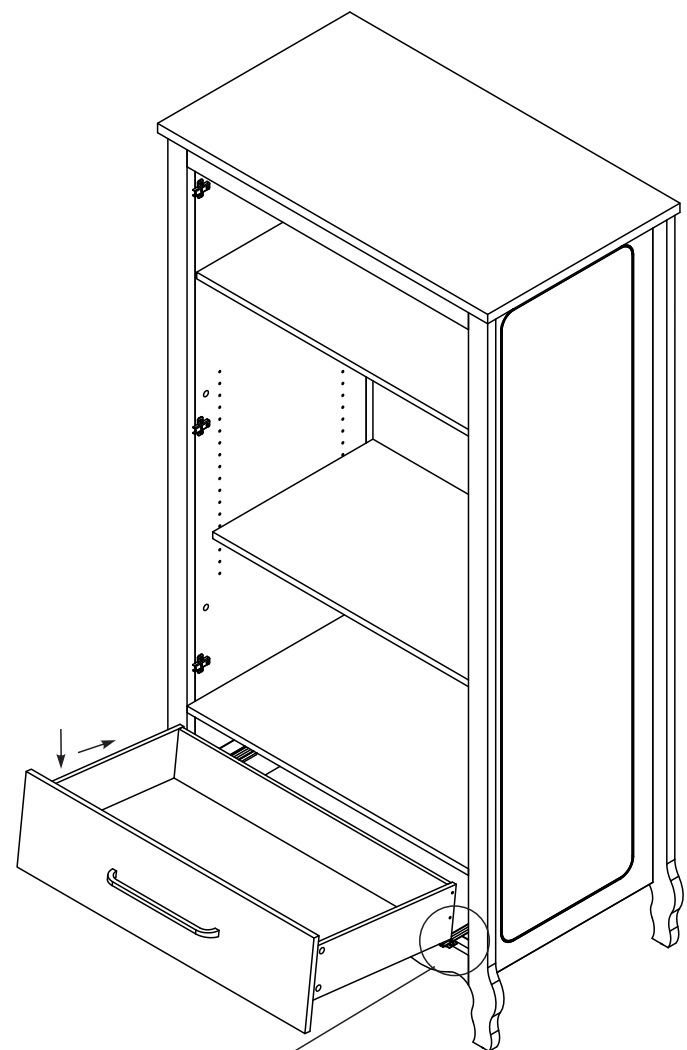
JC 3x10 x4	JD 4,5x40 x4	JE 4,5x25 x4	IC x4	M L=450 x1	I x1	J 3,5x16 x12	JB 2,5x16 x48
K x3	H x6	A 8x35 x44	C 15x10 x47	B 34mm x47	R 5mm x4	N x2	T x2
YA x6	Z x6	E L=450 x1	F 6,3x11,5 x4	JA 3x13 x2			

**2**

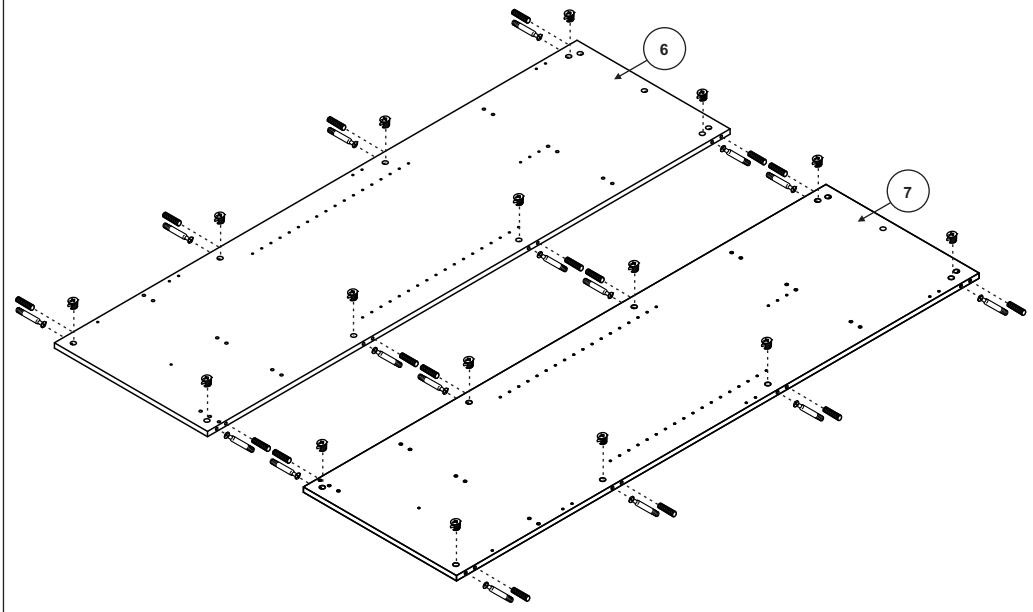
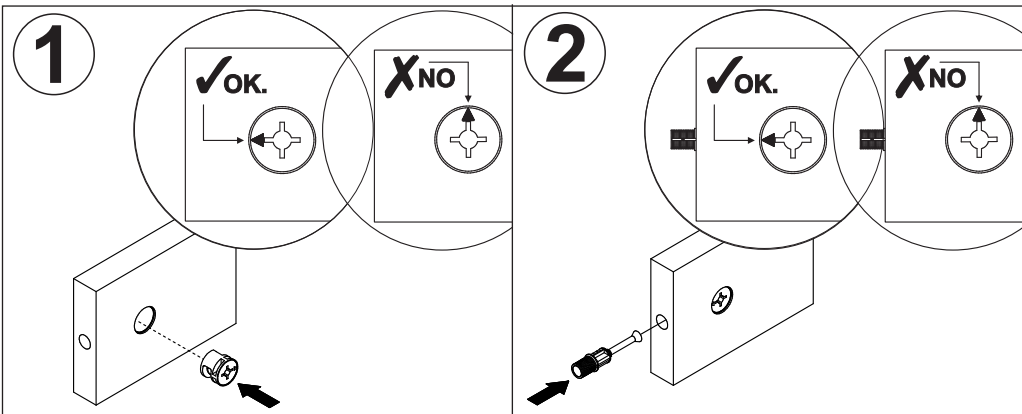


**16**

JC 3x10  
x2

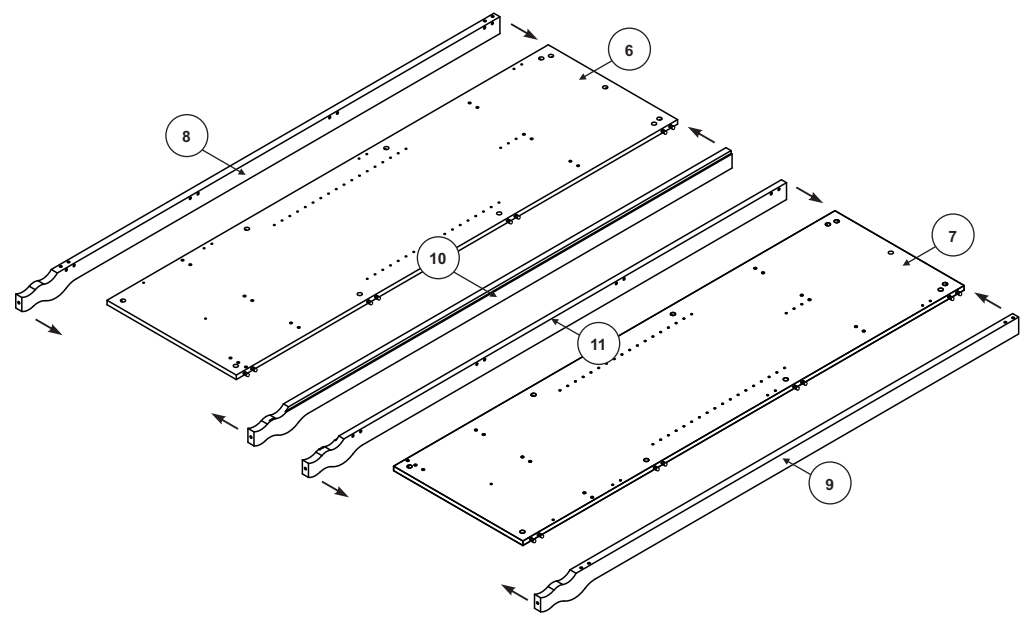
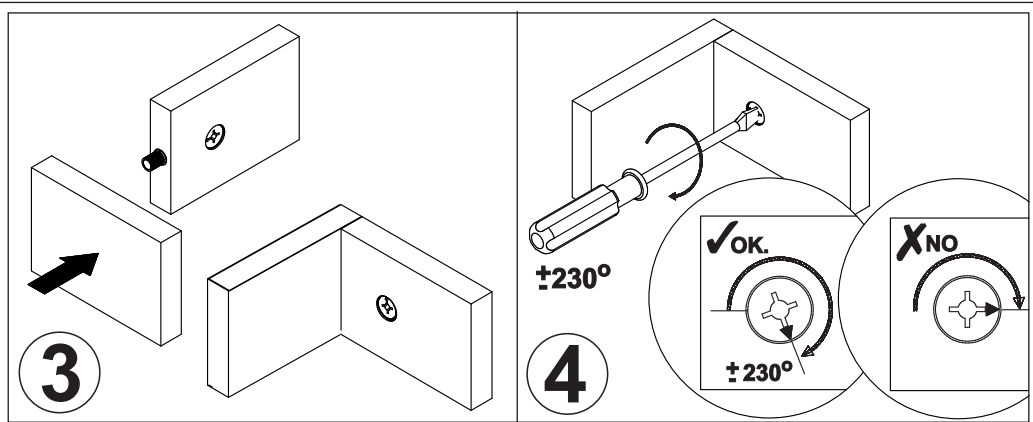


15



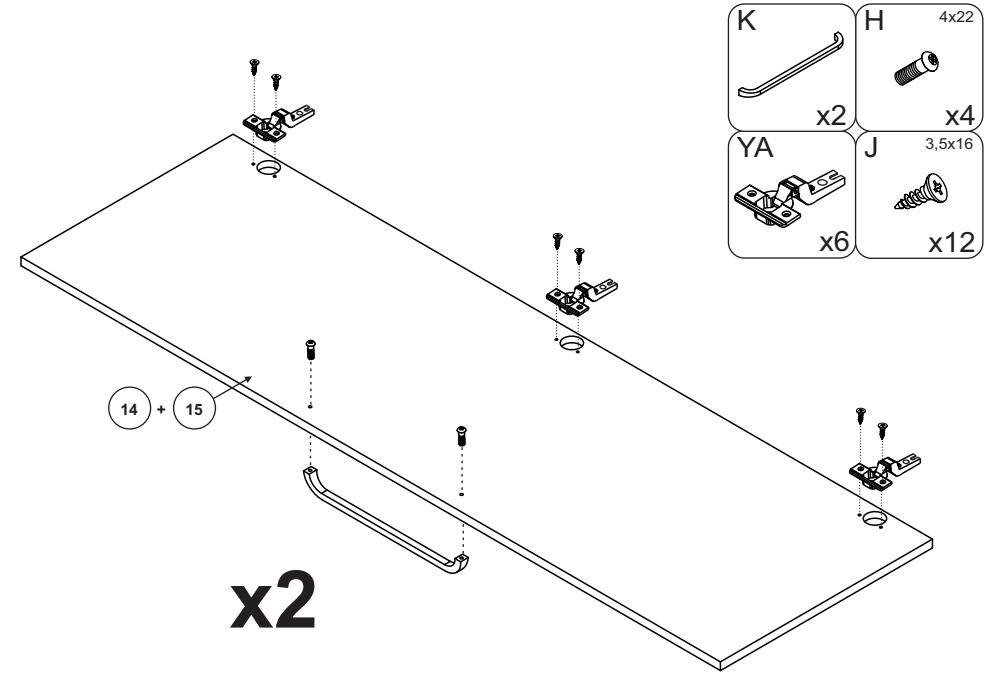
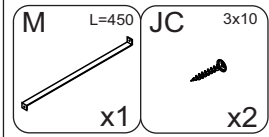
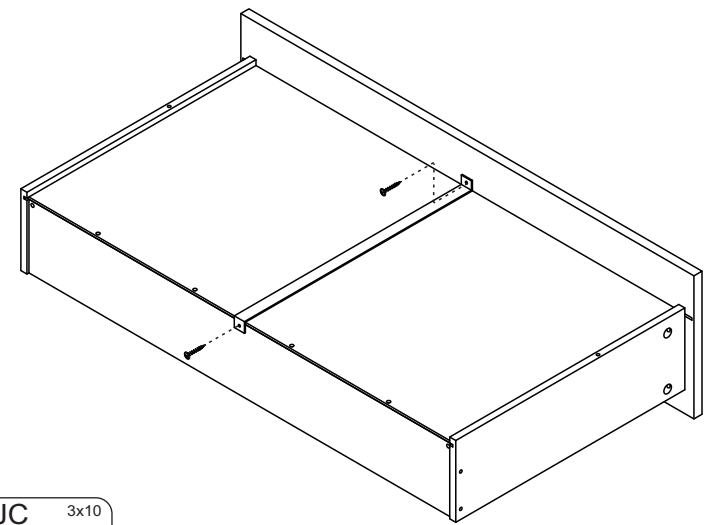
A 8x35  
x16  
C 15x10  
x16  
B 34mm  
x16

3



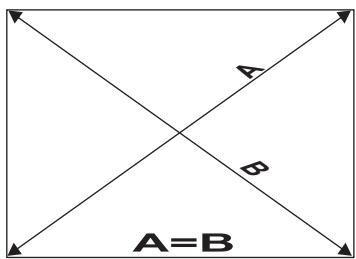
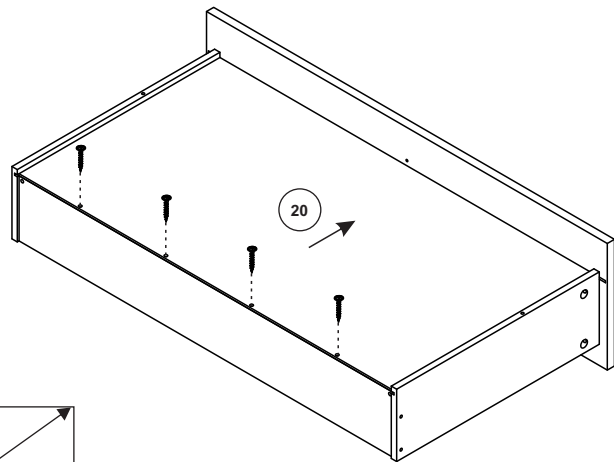
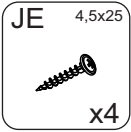
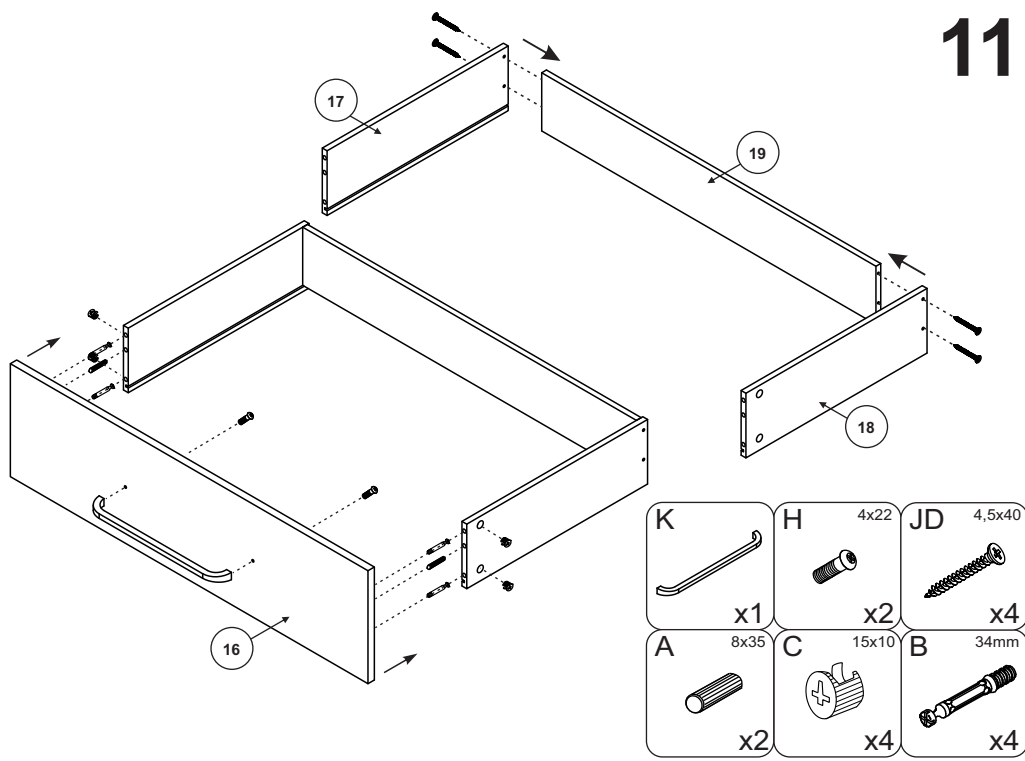
**4**

**13**



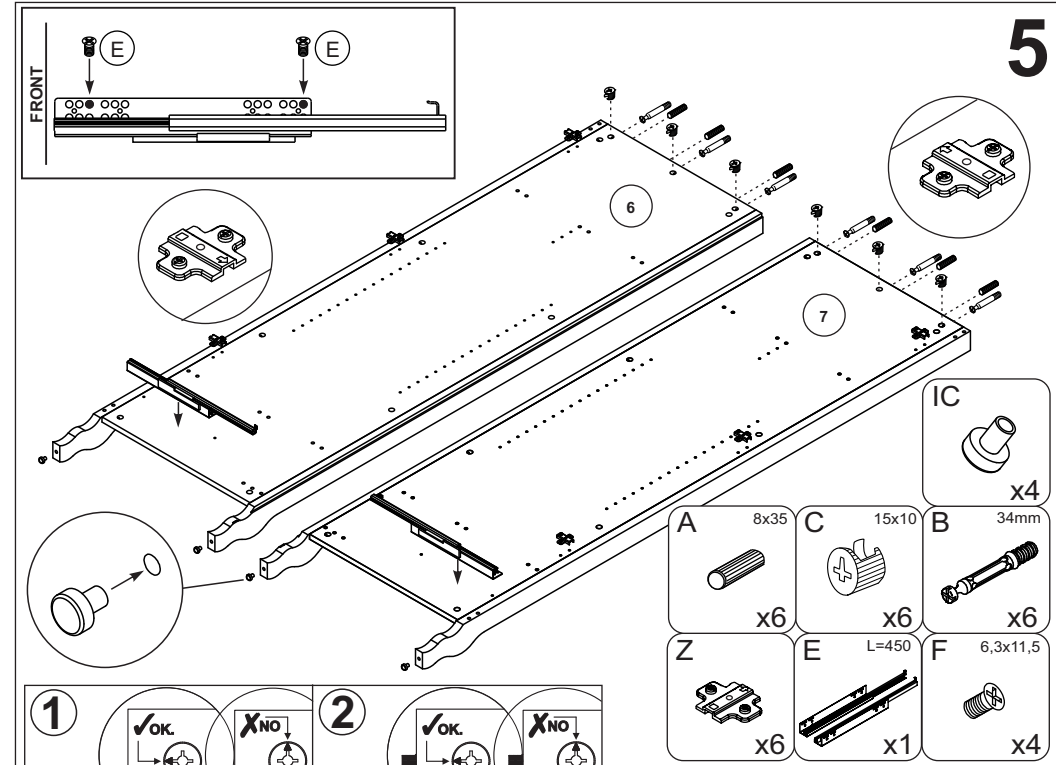
**14**

# 11

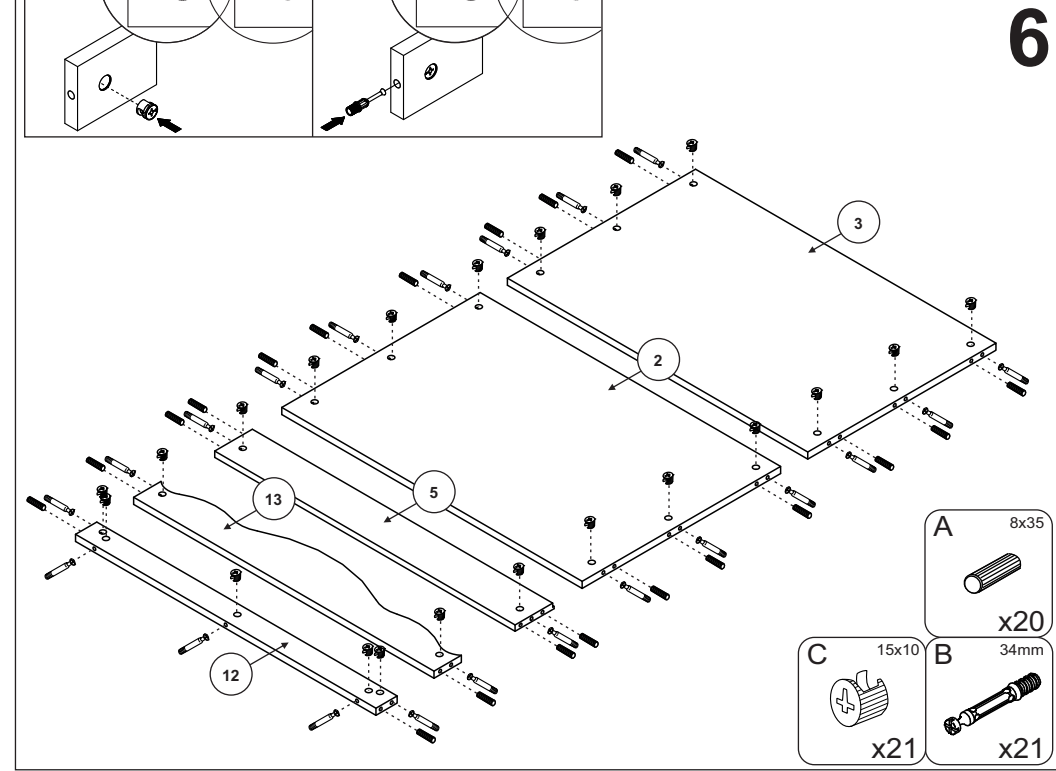


# 12

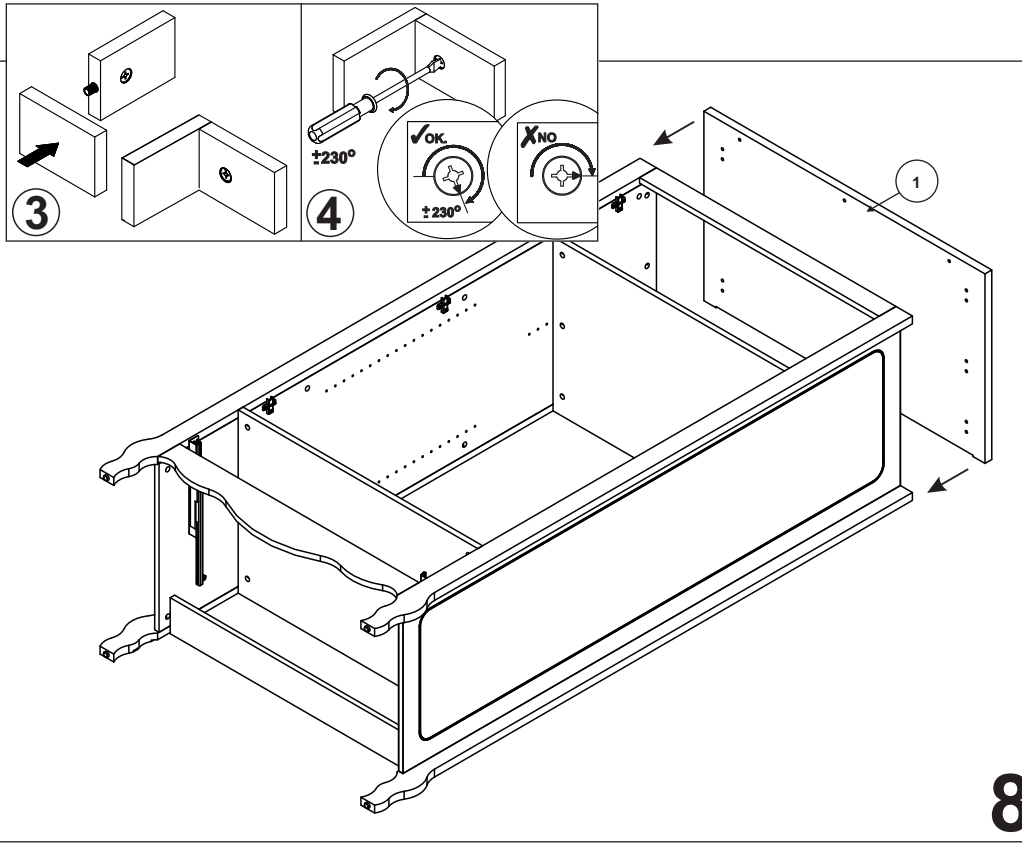
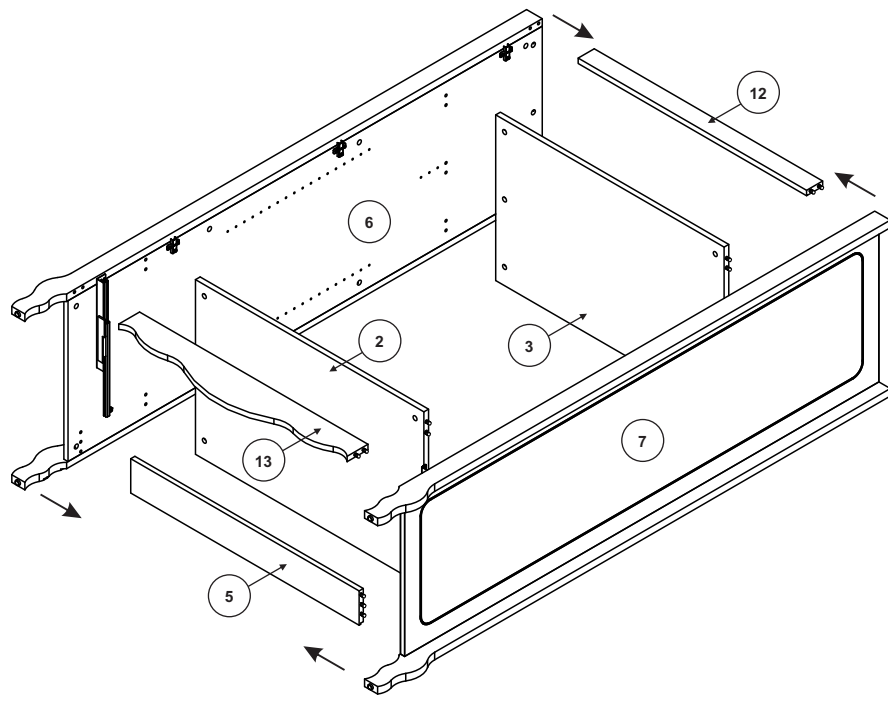
# 5



# 6

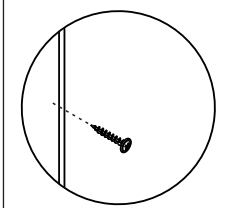


7

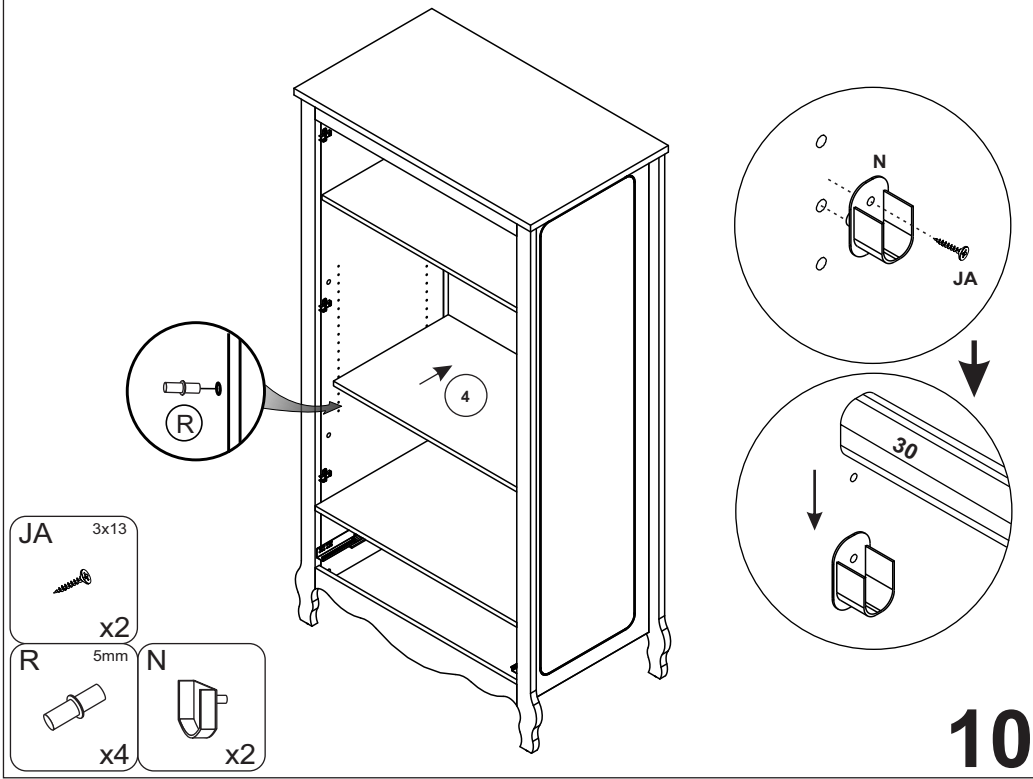
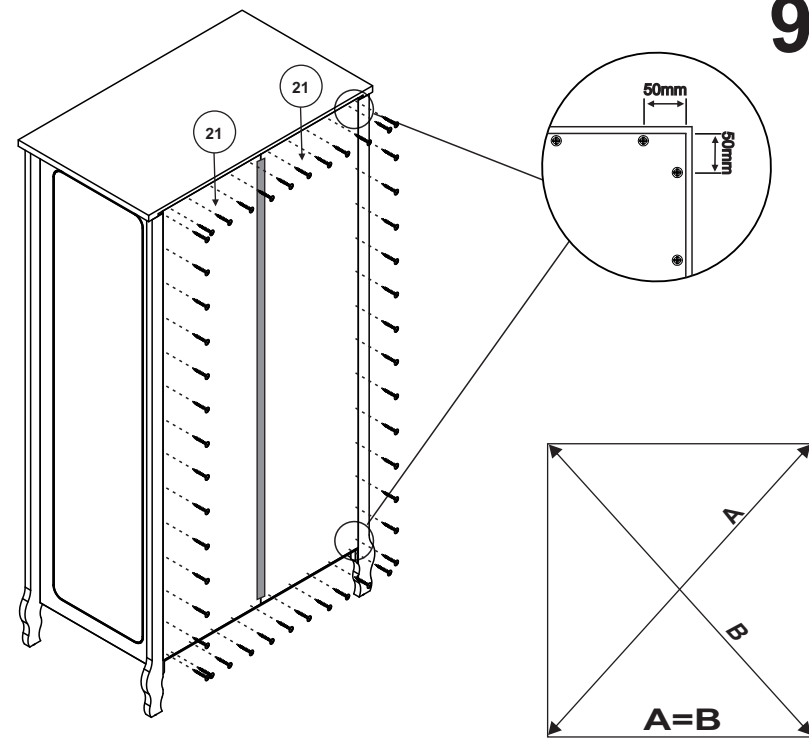


8

- JB 2,5x16  
x48
- I  
x1



9



- JA 3x13  
x2
- R 5mm  
x4
- N  
x2

10